

A1010M Triple Balanced Mixer

1.0 to 10.0 GHz



Technical Characteristics

Product Features
Multi-octave bandwidth
Broad frequency - input and output
Wide DC to IF frequency response
Low conversion loss
High port-to-port isolation

Maximum Ratings	
Storage temperature	-65 to +150°C
Operating temperature	-55 to +125°C
Max. Input power for any single port	+24dBm Peak
Peak input current	100mA @ 25°C
Specifications @	25°C

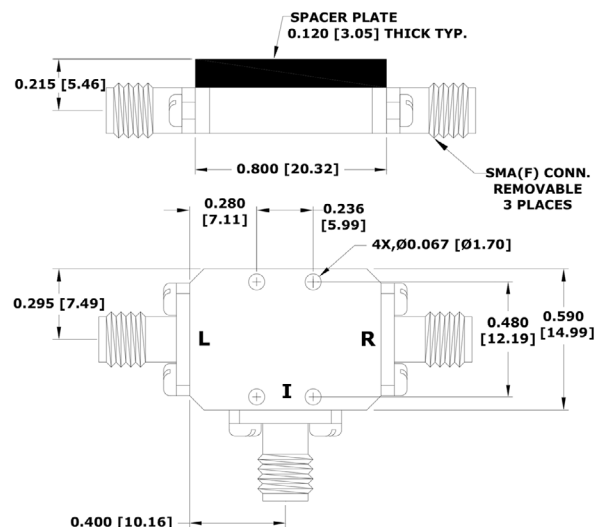
Parameters	Freq. (GHz)	Minimum	Typical	Maximum	Units	Conditions
Conversion Loss						
RF Input	1.0 to 10.0		6.0	7.0	dB	DC to 4.0 GHz
			6.0	8.0	dB	4.0 to 10.0 GHz
LO Input	1.0 to 10.0					
IF Output	0.5 to 4.0					
Isolation						
LO-RF		18.0	25.0		dB	
LO-IF		20.0	25.0		dB	
RF-IF		18.0	25.0		dB	
VSWR			2.5:1			
1dB Comp.Point						
LO Drive			10.0		dBm	
Third order intercept pt.			14.0		dBm	

NOTES:

1. Measured in a 50 ohm system with nominal LO drive and downconverter application only, unless otherwise specified. The I-port frequency range extends to DC for phase detection, pulse modulation, or attenuator applications. I-port VSWR degrades from a 50 Ω system at LO-IF frequencies.

2. Typical values are measured at +25°C and are not guaranteed.

Package outline L



DISCLAIMER: Subject to change without notice.
Rev(B) 08/16/19

Quality products that serve the industry. Today and tomorrow.

Copyright© EclipseMDI

www.eclipseMDI.com

1.408.526.1100

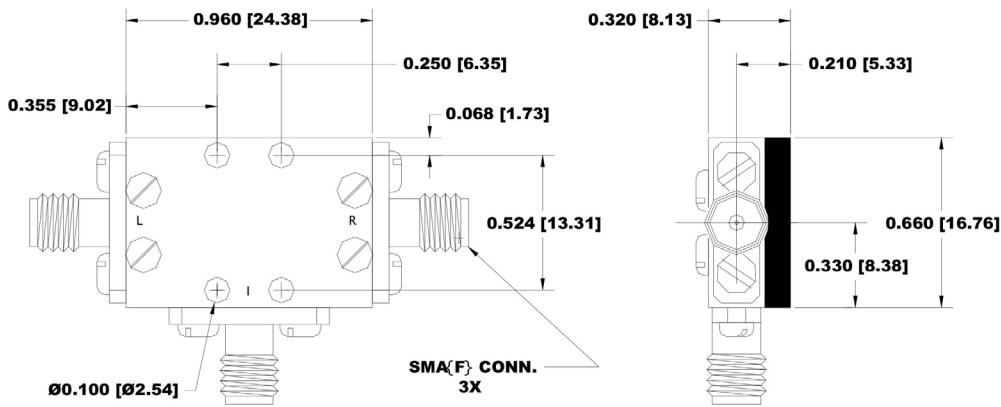
EclipseMDI

A1010M Triple Balanced Mixer

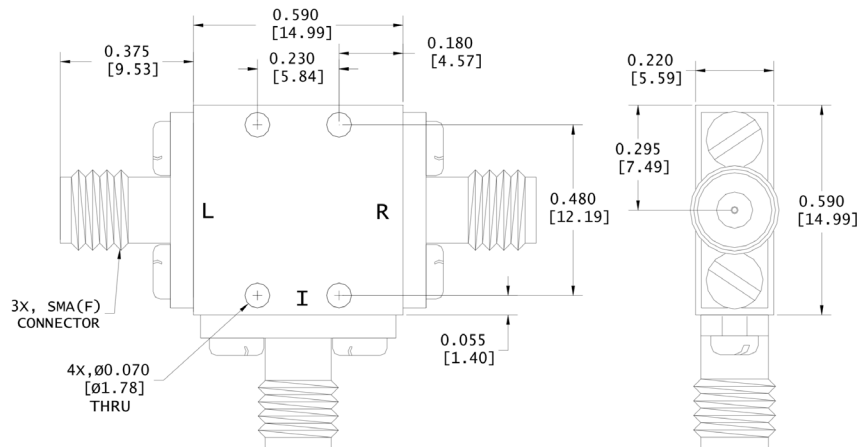
1.0 to 10.0 GHz

Outline Drawings 1 of 2

Coaxial package outline 'B'



Coaxial package outline 'Z'



Drop in package outline 'E1'

